

PREMIERE
2017



MARTEN

JORMA DESIGN

MADE IN SWEDEN

INTRODUCING:

COLTRANE TENOR 2



EXPERIENCE MARTEN'S MOST ADVANCED SPEAKERS
YET AT MUNICH HIGH END 2017

THIS YEAR'S MUNICH HIGH END SHOW, WHICH RUNS
18-21 MAY, WILL GIVE AUDIOPHILES A UNIQUE CHANCE
TO EXPERIENCE THE LATEST AND BEST SPEAKERS
FROM RENOWNED SWEDISH BRAND MARTEN.

MARTEN & JORMA DESIGN PRESS RELEASE

GOTHENBURG, SWEDEN, MAY 2017



The top-of-the-range Marten speakers on show include what chief designer Leif Olofsson describes as the company's best yet: the Coltrane Tenor 2.

"The Coltrane Tenor 2 is built on the best technology from all our speakers and crafted with absolute reverence to the music," explains Olofsson.

"The highlight is the crossover technique," he continues. *"Specifically developed for the Coltrane Supreme 2, it produces absolutely perfect time and phase coherence. More importantly, it also provides flawless time coincident."*

HEARING IS BELIEVING



Show attendees can hear the stunning sound of the Coltrane Tenor 2 for themselves in the Marten room. Leif and his team will turn DJs for the course of the show, playing vinyl on a vintage, pimped-up Swiss player - a Thorens TD124 - as well as recordings from a Nagra 4S reel-to-reel player.

After hearing what the latest Marten technology can do, will you be able to resist the temptation of ordering a pair of Coltrane Tenor 2 speakers? The price is €75,000. Those wanting something extra special can order the €88,000 Statement Edition of the Coltrane Tenor 2 with Jorma Design's flagship cables inside to provide even better sound. This is the model we will show in Munich together with Engström's latest amplifier Erik.



There will also be a chance to experience two more brand-new high-end Marten speakers - both with phase and time coherent and coincident and first-order crossover with CELL technology. The Coltrane 3 speakers will feature in Swedish amplifier specialist Engström's room. And the Mingus Quintet speakers can be found helping to show EMT's world-renowned audio technology at its best.

MARTEN & JORMA DESIGN PRESS RELEASE

GOTHENBURG, SWEDEN, MAY 2017



JORMA DESIGN

MADE IN SWEDEN



NEW
STATEMENT INTERCONNECT

Of course, any music is best experienced on a system that uses the very highest quality cables. So high-end audio enthusiasts will be pleased to know that Marten will also be showcasing three new cables from its Jorma Design brand: Statement Interconnect, Phono and USB Reference.

Statement Interconnect is launching after a long search for a conductor worthy of Jorma's high standards. Phono is the first phono cable in Jorma's line-up - connecting a vinyl player's tonearm to the amp. And the USB Reference connects a computer or other digital source to a DAC. All three cables use the highest quality materials and latest technology.

Marten will be in room F214 at Munich High End, with demos at 1100 and 1500 every day featuring unique recordings on systems that bring new meaning to the phrase 'high fidelity'. It promises to be quite a show.

MADE IN SWEDEN

● MARTEN RECORDINGS

The desire to reproduce reality has also seen Marten release its own recordings from its state-of-the-art studio in Gothenburg. The latest of these will get their global launch at Munich High End 2017. The new release features Tobias Granmo on violin and Daniel Berg on marimba playing a heady mix of classical, contemporary, jazz and off-the-wall art music – a sound not to be missed.



You are very welcome to the Marten and Jorma Design Room
F214 at Atrium 4, MOC, Munich May 19 - 21.

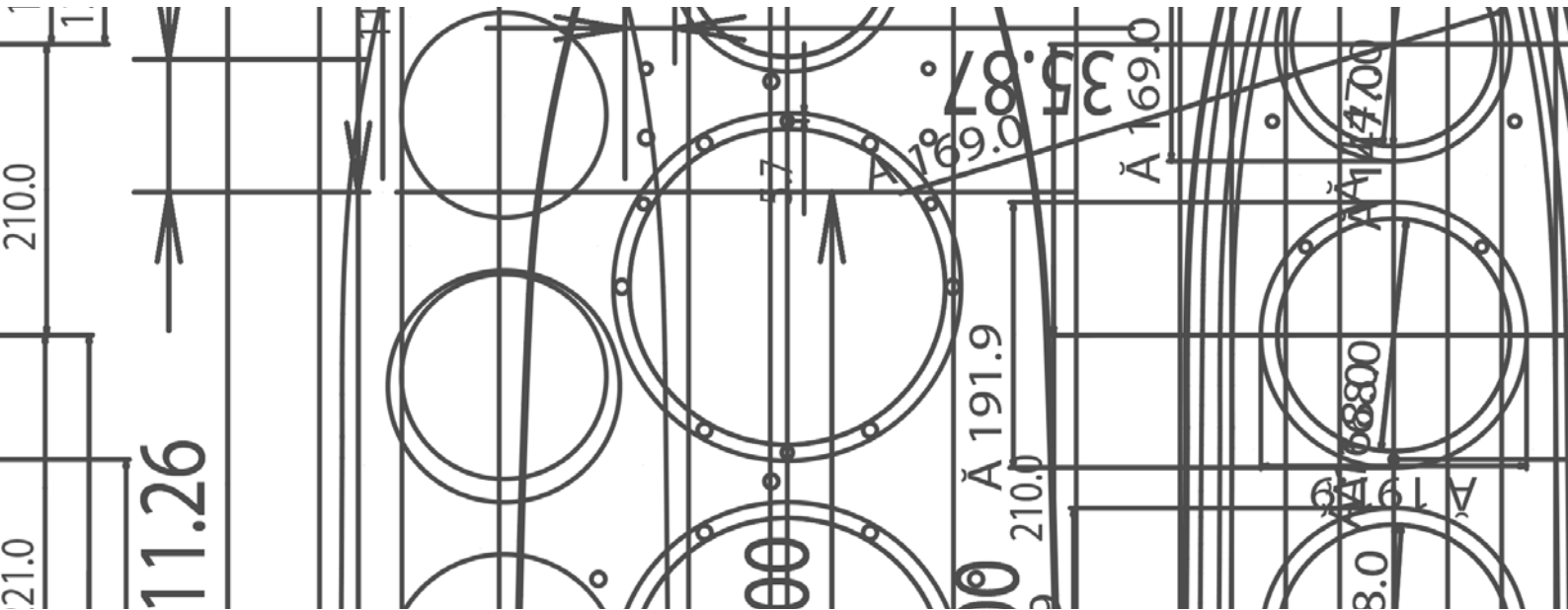
EMT with Mingus Quintet: **A4.1 E128**. Engström with Coltrane 3 **A4.2 F219**.

For more information or if you want to schedule a meeting please contact
us on: info@marten.se

Jörgen: +46 70 728 88 22 or Lars: +44 7971 360 694

COLTRANE TENOR 2 - SPECIFICATION

Coltrane Tenor 2 retails at: €75.000



Frequency range / 24-80000 Hz +-2dB

Power rating / 300 W

Sensitivity / 86 dB / 1 m / 2.83V

Impedance / 6 ohm (3.5 Ohm min)

Type / 3-way bass reflex

Drive units / 2x8" aluminium sandwich, 1x7" ceramic, 1x0.75" diamond

Crossover frequency / 1st order, 360 & 4000Hz

Terminals / WBT Nextgen, bi-wiring

Internal wiring / Jorma Design optional Statement

Cabinet / 20 mm:s carbon fibre laminate cabinet, 68 mm laminated wood/
aluminium front

Stands / Polished stainless steel with Black Diamond Racing pucks and cones

Dimensions WxHxD / 31 x 114 x 40 cm (12.2 x 44.9 x 15.7")

Net weight / 55 Kg (122.2 lbs)